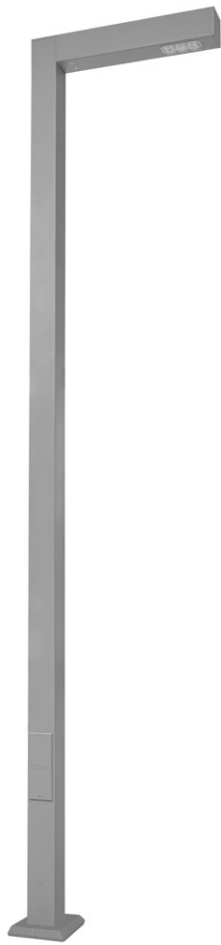


Pedestrian Areas & Walkways

CAIRO

IP66

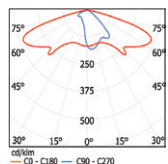
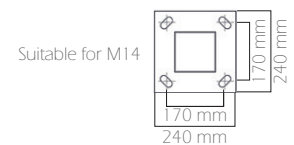
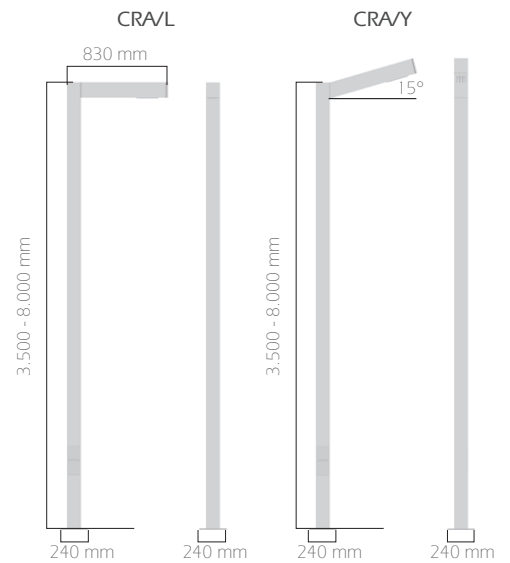
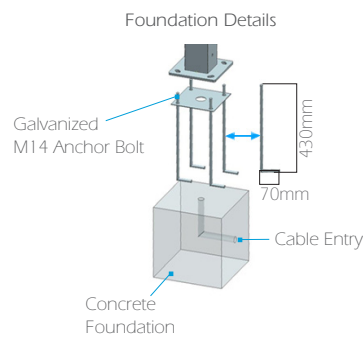
These are designed to be cornered and integrated with the body except for the usual. In the design of luminaires, emphasis was placed on modern and aesthetic elements as much as light efficiency. Thanks to the LED module structures, luminaire powers can be adjusted to desired levels. High efficiency LEDs and optical structures provide the desired light levels and distributions.



CRAVL



CRAVY



Code	CRAVL	CRAVY
LED	High Efficiency Power LEDs	
System Power	1x50W	
Light Flux	5000lm	
Colour Temperature	4000 - 5000 - 6500 K	
Voltage	220V - 50Hz	
Body	Aluminum extrusion body, DKP sheet base thick 10mm	
Cooler	Cooling from the surface of the body	
Colour	Grey	