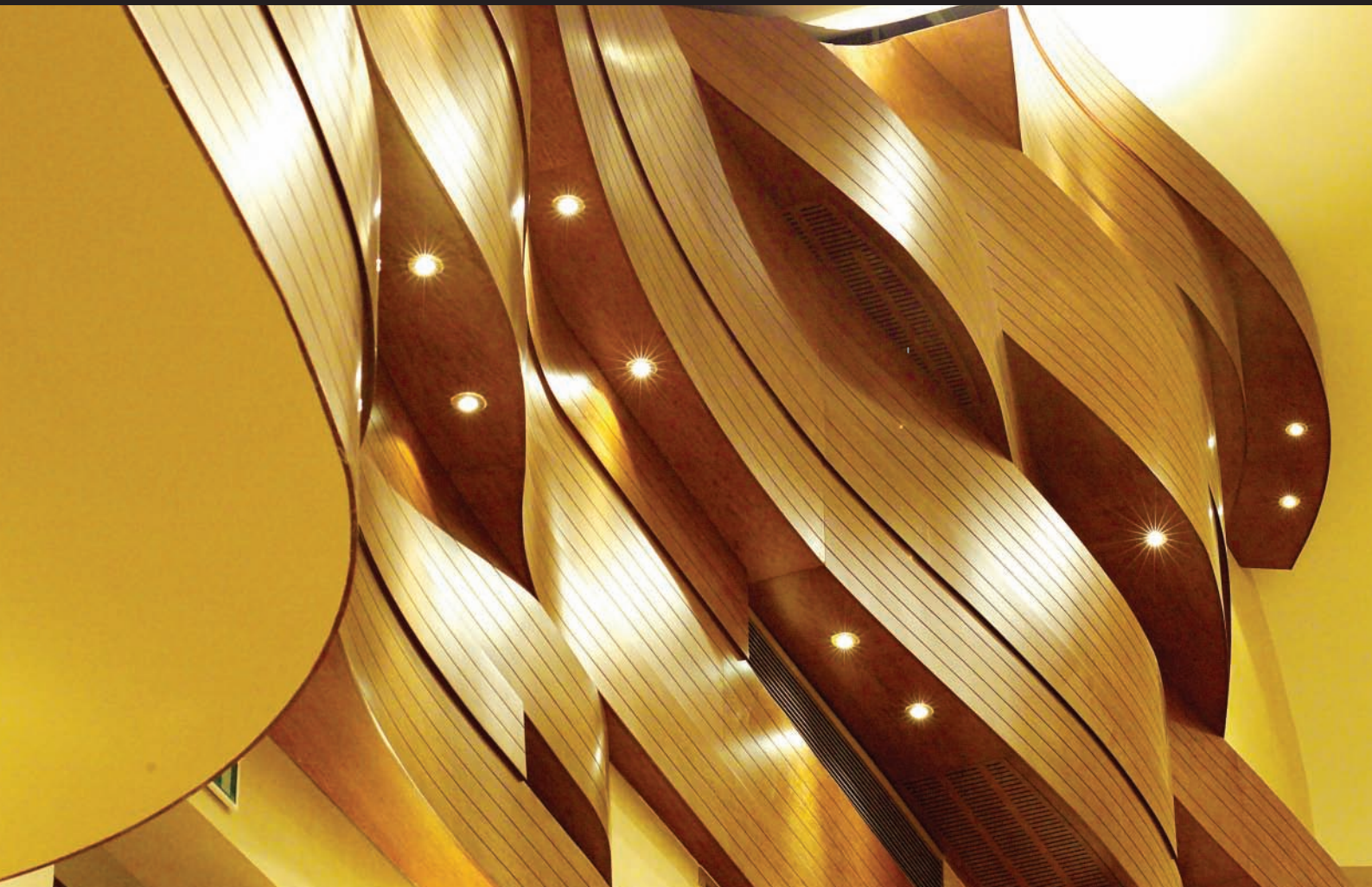
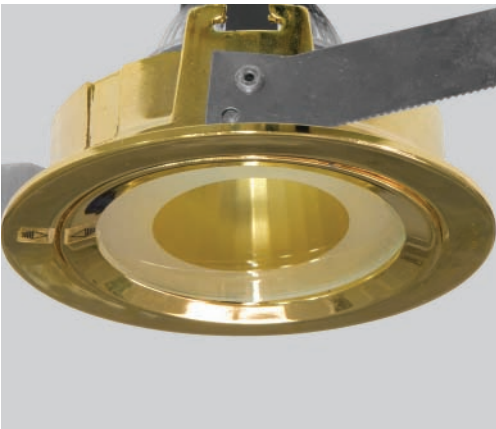
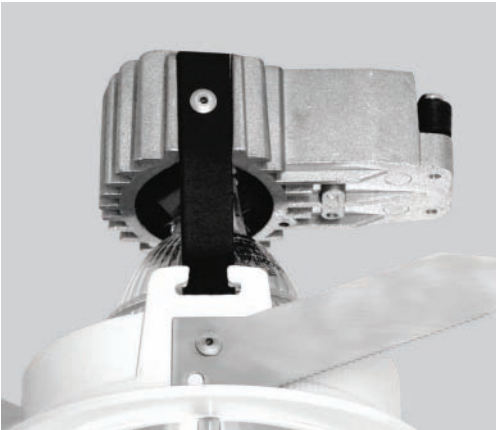
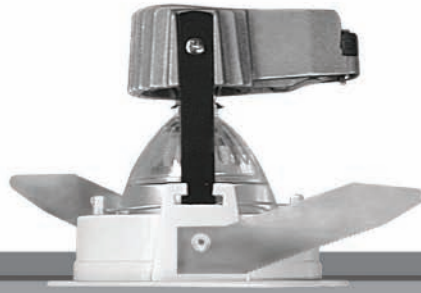


# Galaxy





**Body:** The body and frame are aluminum injection designed to enhance the cooling surface. The mounting springs are stainless steel. Body is painted with min. 80 micron powder paint.

**Frame:** Galaxy model fixture frames are manufactured with injection aluminum. The frames can be white, chromium or gold color.

**Glass:** 65 mm diameter 3 mm thick tempered glass is used to avoid damage or danger in case of accidents.

## Halogen

## Downlights

The Galaxy model fitted with low voltage halogen lamps is able to respond to several needs in terms of both visual comfort and design flexibility. The special design of the body helps improve cooling efficiency to ensure nominal operating temperature for the light source.

## HALOGEN DOWNLIGHTS / GALAXY (DH 2003 - DH 2004 - DH 2005 - DH 2006)



## DH 2003



## Description

**Reflector:** (99,9%) pure aluminum reflector is used. DH2003 contains a symmetrical reflector.  
**Glass:** 65 mm diameter 3 mm thick tempered glass is used to avoid damage or danger in case of accidents.

## Code

DH 2003  
DH 2003

## Lamp

1x20W QT12  
1x50W QT12

## Color

White/Chrome/Gold  
White/Chrome/Gold

## Box Dimensions

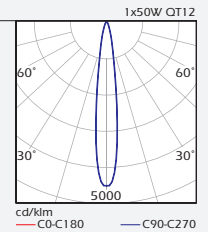
Inside box 1 PCS.  
DH 2003 110x150x125 mm

**Cut-out:** Ø 93 mm

## Weight

DH 2003 400gr

**Protection: IP20**



## DH 2004



## Description

**Reflector:** (99,9%) pure aluminum reflector is used. DH2004 contains a symmetrical reflector.  
**Glass:** 65 mm diameter 3 mm thick tempered glass is used to avoid damage or danger in case of accidents.

## Code

DH 2004  
DH 2004

## Lamp

1x20W QT12  
1x50W QT12

## Color

White/Chrome/Gold  
White/Chrome/Gold

## Box Dimensions

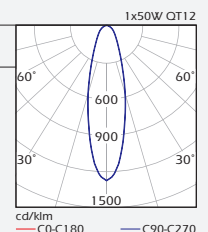
Inside box 1 PCS.  
DH 2004 110x150x125 mm

**Cut-out:** Ø 93 mm

## Weight

DH 2004 400gr

**Protection: IP20**



## DH 2005



## Description

**Reflector:** (99,9%) pure aluminum reflector is used. DH2005 contains a symmetrical reflector and pendant glass.

## Code

DH 2005  
DH 2005

## Lamp

1x20W QT12  
1x50W QT12

## Color

White/Chrome/Gold  
White/Chrome/Gold

## Box Dimensions

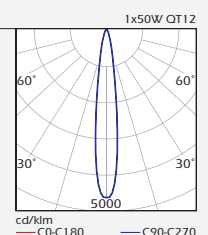
Inside box 1 PCS.  
DH 2005 110x150x125 mm

**Cut-out:** Ø 93 mm

## Weight

DH 2005 400gr

**Protection: IP20**



## DH 2006



## Description

**Reflector:** (99,9%) pure aluminum reflector is used.

## Code

DH 2006  
DH 2006

## Lamp

1x20W QT12  
1x50W QT12

## Color

White/Chrome/Gold  
White/Chrome/Gold

## Box Dimensions

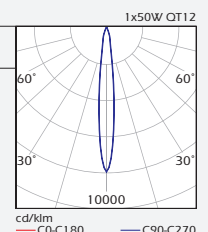
Inside box 1 PCS.  
DH 2006 110x150x125 mm

**Cut-out:** Ø 93 mm

## Weight

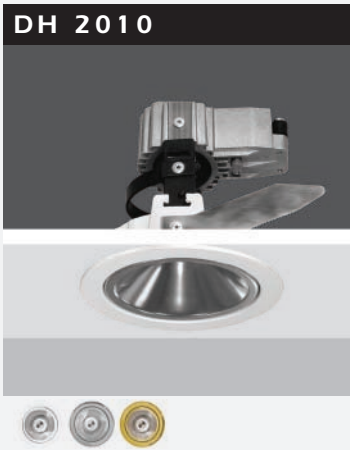
DH 2006 350gr

**Protection: IP20**





## HALOGEN DOWNLIGHTS / GALAXY (DH 2010)



### Description

**Reflector:** (99,9%) pure aluminum reflector is used. DH2010 contains symmetrical and asymmetrical reflector. Moreover, the fixture can be focused up to 30° angle by adjusting the filament.

### Code

Symmetrical Reflector  
DH 2010/S  
DH 2010/S  
Asymmetrical Reflector  
DH 2010/As  
DH 2010/As

### Lamp

1x20W QT12  
1x50W QT12  
1x20W QT12  
1x50W QT12

### Color

White/Chrome/Gold  
White/Chrome/Gold  
White/Chrome/Gold  
White/Chrome/Gold

### Box Dimensions

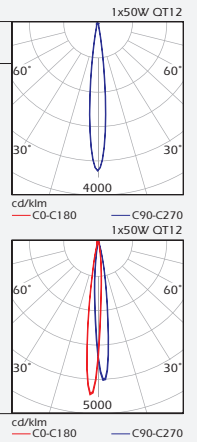
Inside box 1 PCS.  
DH 2010 110x150x125 mm

**Cut-out:** Ø 93 mm

### Weight

DH 2010 350gr

**Protection:** IP20



### Dimensions (DH 2003 - DH 2004 - DH 2005 - DH 2006 - DH 2010)

