

FLOODLIGHTS/JET 1000 AS



JET 1000 AS/P



Description

Asymmetrical Wide Angle Floodlight:

Made of highly pure, peened aluminum sheet, polished and anodised. Front tempered glass resistant to high temperatures and to thermal shock. Anti-aging gaskets in silicon rubber.

Code

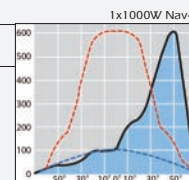
JET 1000 AS/P
JET 1000 AS/P

Lamp

1x1000W HQI-T
1x1000W Nav-T

Color

Black
Black


Box Dimensions

Inside box 1 PCS.
JET 1000 AS/P 615x670x360mm

Weight

JET 1000 AS/P 18.750gr

Protection: IP65

JET 1000 AS/S



Description

Asymmetrical Narrow Angle Floodlight:

Made of highly pure, aluminum sheet, polished and anodised. Front tempered glass resistant to high temperatures and to thermal shock. Anti-aging gaskets in silicon rubber.

Code

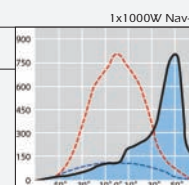
JET 1000 AS/S
JET 1000 AS/S

Lamp

1x1000W HQI-T
1x1000W Nav-T

Color

Black
Black


Box Dimensions

Inside box 1 PCS.
JET 1000 AS/S 615x670x360 mm

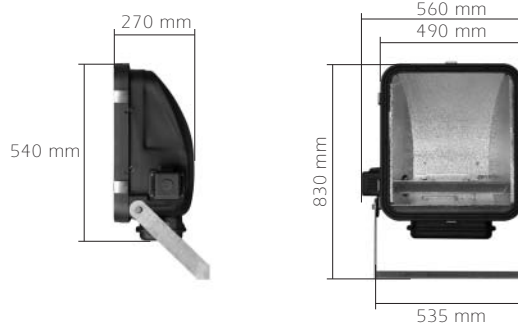
Weight

JET 1000 AS/S 18.750gr

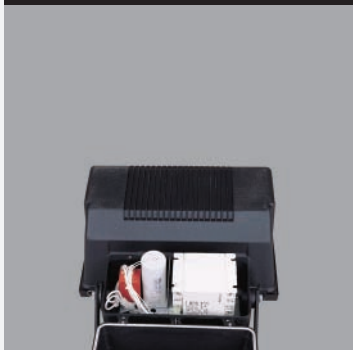
Protection: IP65



Dimensions



KIT MH 1000



Code

KIT MH1000
KIT SAP1000

Color

Black
Black

KIT SAP1000


Box Dimensions

Inside box 1 PCS.
KIT MH1000 420x275x210 mm
KIT SAP1000 420x275x210 mm

Weight

KIT MH1000 11.600 gr
KIT SAP1000 15.100 gr

Protection: IP65